

MOLDING INSTALLATION GUIDE

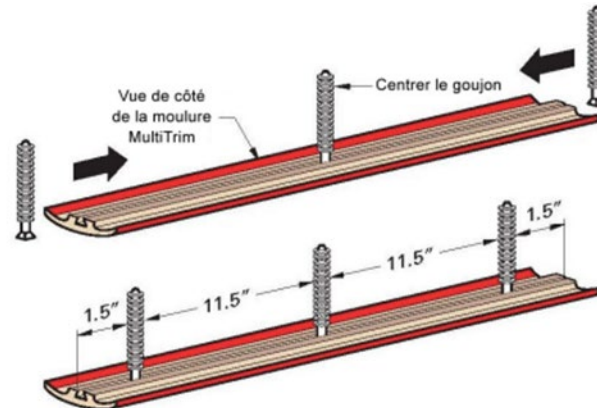
General installation instructions for T-Molding, Reducer and Square Nose moldings

Required Tools:

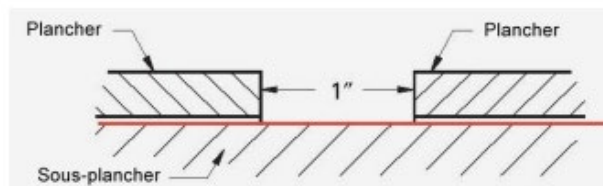
- Pencil
- Tape Measure
- Miter Saw
- Utility Knife
- Drill with 1/4" bit
- Rubber Mallet
- Caulk Gun
- Polyurethane Constructive Adhesive (PUR-Glue)
- Damp Cloth

All Beaulieu Canada moldings described below come with one dowel tree, containing eight dowels. Follow these simple steps to install your moldings:

1. Slide dowel tree out from moulding. Carefully cut or break dowels off of tree. Slide one dowel into moulding groove and position in centre of moulding. Insert additional dowels from both ends. Space dowels 11.5" (29.2 cm) apart and 1.5" (3.8 cm) from ends.

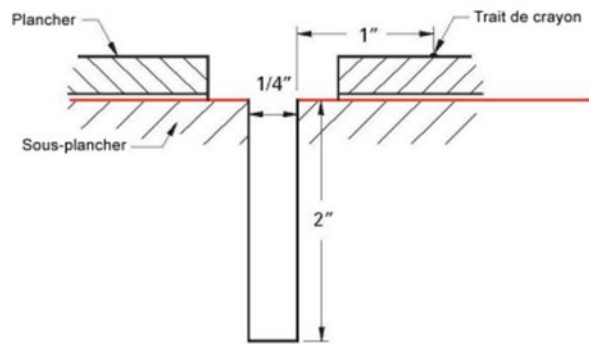


2. Install the luxury vinyl planks or tiles (LVP/LVT) by leaving a 1" (2.5 cm) gap for the installation of the moulding.

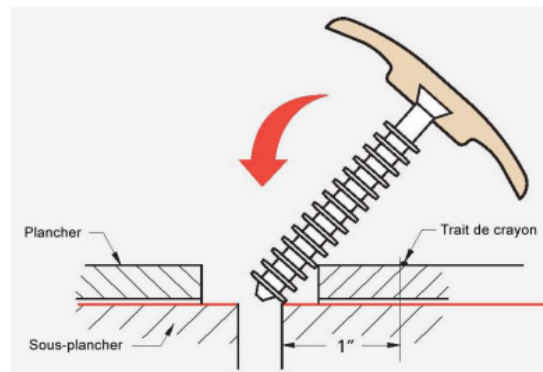


3. Draw a line on the flooring for the placement of the holes. Using a 1/4" (6.4 mm) drill bit, pre-drill holes into the flooring 2" (5.1 cm) deep. Be sure to use the same measurements as the dowels, keeping the holes 11.5" (29.2 cm) apart. With a pencil, mark on the floor where each dowel is located (you will need these for Step 7). Pencil marks should be about 1" (2.5 cm) from the pre-drilled holes.

NOTE: Be sure to vacuum pre-drilled holes.

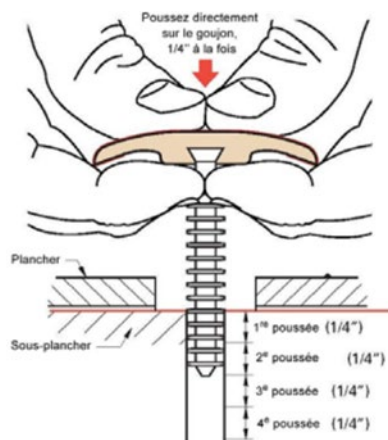


4. Carefully line up dowels with pre-drilled holes. Make adjustments to the dowel positions on the moulding if needed.



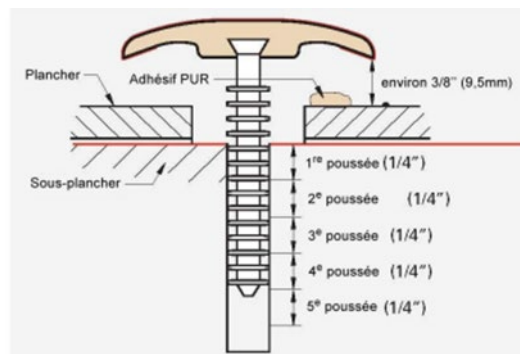
- Using both hands, start at one end and gently push moulding 1/4" (6.4 mm) down. Make sure dowel is straight and that you apply pressure directly over dowel. The best position is to hold dowel with pointer and middle fingers and push down with thumbs. Moving down the moulding again, push the dowels in the floor 1/4" (6.4 mm) at a time. Repeat twice.

NOTE: Do not try to push the entire moulding in all at once by just pressing it in from top! This will bend the dowels.



- Once moulding is half way in, insert the tip of a glue gun under 1 edge of the moulding. Apply Liquid Nails or any polyurethane constructive adhesive along 1 side of the flooring.

NOTE: Make sure you apply adhesive to ONLY 1 side of the moulding and that all surfaces that the adhesive touches is dust and debris free.



- When finished applying adhesive, start again at the beginning of the moulding and push dowels 1/4" (6.4 mm) at a time until moulding is secure. Once moulding is in place, use a rubber mallet to tap on the top of each dowel. Use the pencil marks to reference where each dowel is located.

